

# FXi-02 / HRA-02 USB Interface Instruction Manual

## 1. Features

- Connects a balance (FX-i / FZ-i series, HR-A / HR-AZ series) to a personal computer to transmit the balance weight data to the personal computer via USB. Applicable OS is Windows 2000 or later.
- Because a Windows standard driver is used, complicated installation of a dedicated driver is not necessary. Once a connection between the balance and the personal computer is made, weight data can be transmitted. (Quick USB function)
- Can transmit the balance weight data to applications such as Excel, Word and Notepad for Windows.
- A USB cable is provided (Approx. 2 m length).

- Notes:**
- Only weight data can be transmitted. Headers and units can not be transmitted.
  - Data transmission from the personal computer to the balance is not available. To control the balance by a command, connect the balance and the personal computer using an RS-232C interface.
  - Turn off the screen saver and standby or sleep mode of the personal computer.
  - Windows, Word and Excel are the registered trademarks of the Microsoft Corporation.

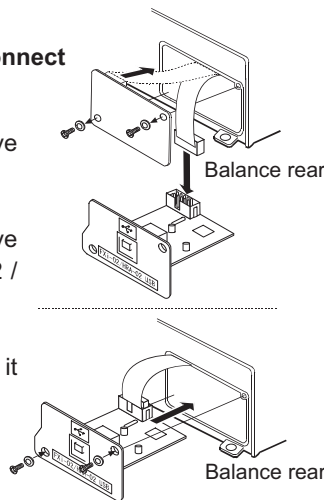
## 2. Installation Procedure

**Note:** Before installing the FXi-02 / HRA-02 option board, be sure to disconnect the AC adapter from the balance.

Step 1 Unfasten the two screws from the panel on the balance rear to remove the panel with a cable connector attached.

Step 2 The cable connector is attached to the panel with double-side adhesive tape. Remove the connector from the tape and insert it into the FXi-02 / HRA-02 option board connector.

Step 3 Install the FXi-02 / HRA-02 option board in the balance and secure it using the two screws that were unfastened in Step 1.



## 3. How to Use

Step 1 Turn the personal computer on to start up Windows. Next connect the AC adapter to the balance and turn the balance power on.

Step 2 Connect the balance to the personal computer using the provided USB cable.

**Note:** When connecting the USB cable, be sure that the balance data output mode is set to a mode other than stream mode.

Step 3 For the first connection the driver will be installed automatically. Please wait until the driver is installed. This step is not required for later connections.

Step 4 Start up the application (such as Excel) into which you want to transmit the balance weight data. Place the cursor in the position at which you want to enter the balance weight data.

Step 5 Press PRINT. The weight data is transmitted to the cursor position.

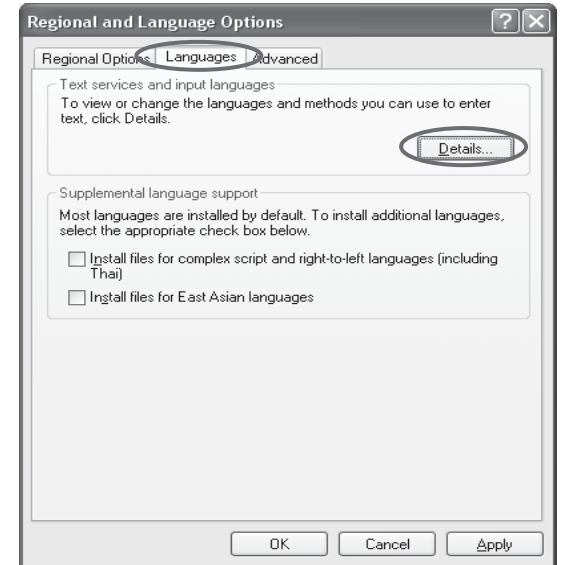
Step 6 To finish the operation, disconnect the USB cable.

## 4. Note about Use

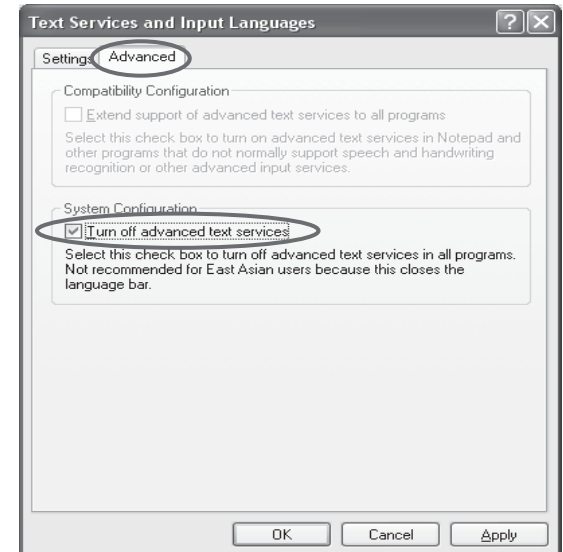
If you are using Windows XP and data cannot be input correctly in the Excel, turn off the Advanced text service using following procedure. Other compatible operating systems do not have this function.

Step 1 In **Control Panel**, click **Regional and Language Options**.

Step 2 Click the **Languages** tab, and then click the **Details**.



Step 3 Click the **Advanced** tab, and then select **Turnoff advanced text services** check box.



## 5. Examples of Use

- Weight data collection 1 (Basic use)

Balance data output mode: Key mode (factory setting) *dout 0*  
Press PRINT to transmit the weight data to the personal computer.

- Weight data collection 2

Balance data output mode: Auto print mode *dout 1* or *dout 2*  
After a sample is placed on the balance and the displayed value stabilizes, the balance transmits the weight data to the personal computer.  
Useful when you want to repeatedly add samples and record their weight values.

- Periodic collection of weight data

Balance data output mode: Interval output mode *dout 6*  
The balance transmits the weight data to the personal computer at a certain interval.  
Changes in weight data over time can be recorded.

Output interval time (*int*) settings: Every measurement, 2 seconds, 5 seconds, 10 seconds, 30 seconds, 1 minute, 2 minutes, 5 minutes, 10 minutes